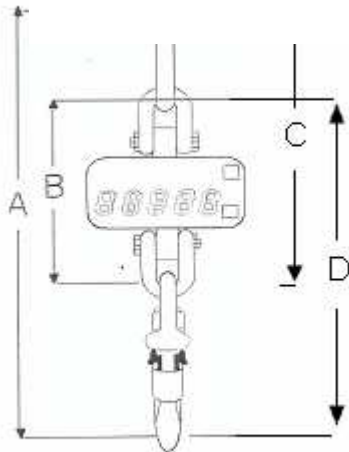


PRODUCT SHEET

EXCEL-45



- display : LED, 5 digits, 45 mm high
- capacity : 2.000 to 25.000 kg
- accuracy : $\pm 0,03\%$
- working temperature : -10°C to $+50^{\circ}\text{C}$
- protection : IP65
- rechargeable NiCd-battery : 40 hours autonomy
- battery charger
- includes ring, shackles and rotating hook
- push buttons ON/OFF and TARE on front



Capacity Kg	Resolution Kg	Dimensions mm			Weight
		A	B	C	
2.000	0,5	550	235	135	6,5
3.200	0,5	570	260	150	7,8
5.000	1	700	265	155	8,6
6.300	1	770	330	160	13,5
10.000	2	840	335	165	16,8
12.000	2	900	350	180	24
16.000	5	1.050	360	200	25
20.000	5	1.300	580	235	32
25.000	10	1.550	740	277	44